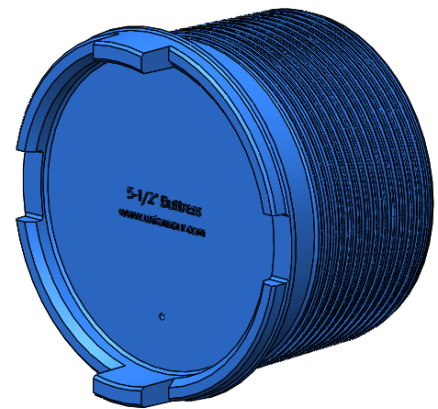
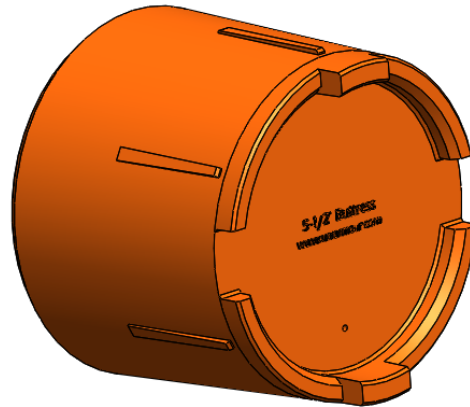


UNI-TRQ

Ultra-Efficient
Threaded Protector

BENEFITS

- ✓ Direct-Hit Torque Faces
- ✓ Enhanced Reliability
- ✓ Increased Safety



**LOWER COST.
HIGHLY RECYCLABLE.
HIGH-DENSITY POLYETHYLENE.**

Uniarmour has re-engineered the conventional casing protector to enhance efficiency, reliability and reduce cost. Our protectors fit butress and butress-compatible connections. All available at a global service.

1. Enhances Applied Torque
2. Lower Risk of Injury
3. HDPE Construction
4. Extreme Temperatures
5. High Impact
6. Direct-Hit Torque Faces

QUOTE REQUEST



+1 (832) 290-8765



info@uniarmour.com



www.uniarmour.com



PO Box 27244
Houston, Texas 77227

IN-HOUSE DEMOS AVAILABLE